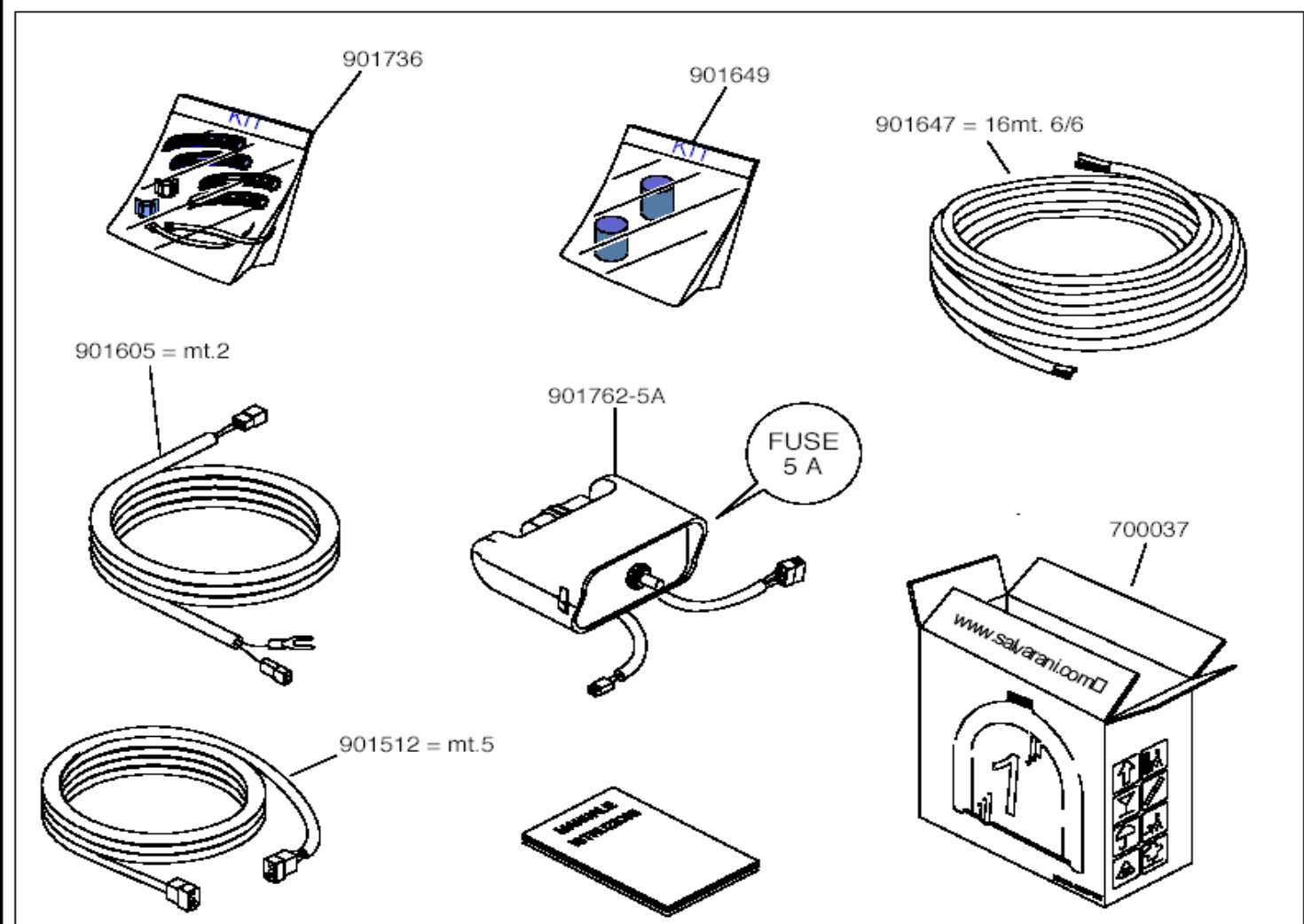
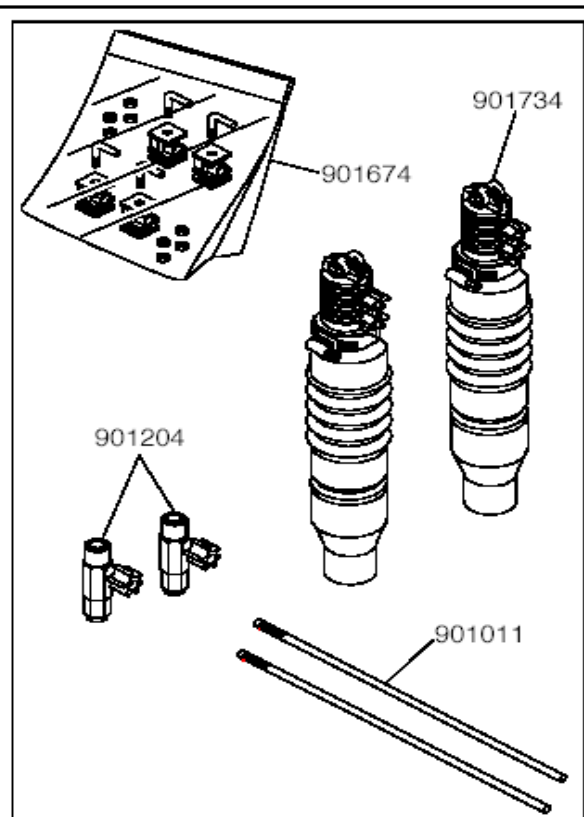
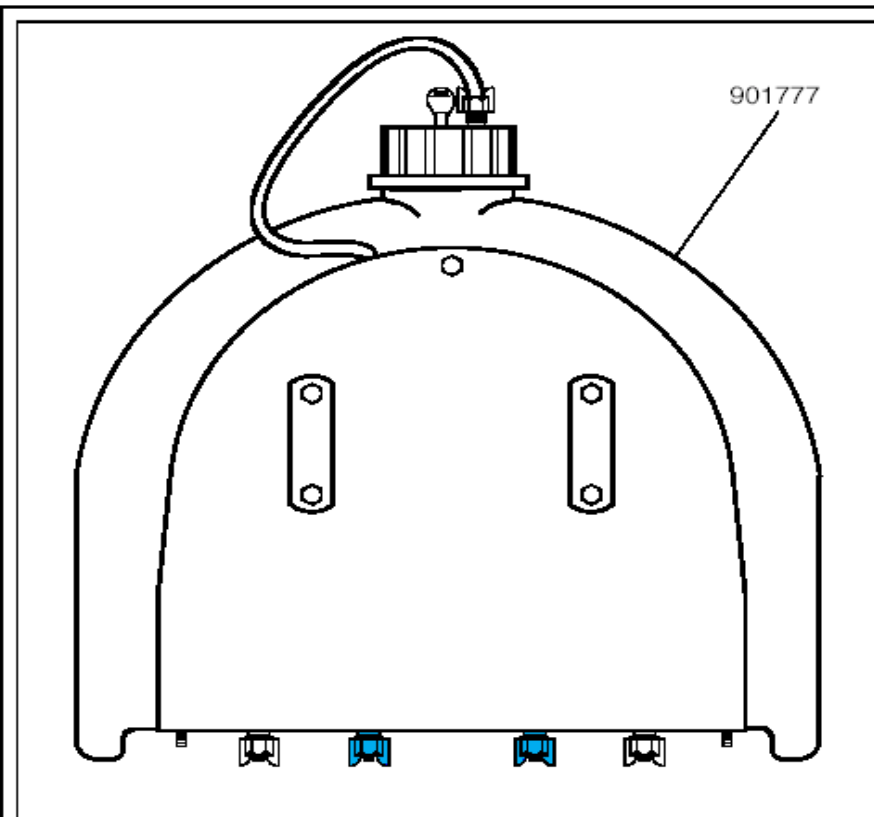


Salvarani 901777 MINIMARKER ATV

REV. 27/11/2002



Salvarani

TF -1G MINIMARKER ATV

Rif.Cod. _____

Cod. OFF-0023-03

REV. 08/10/2003